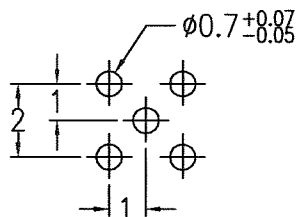
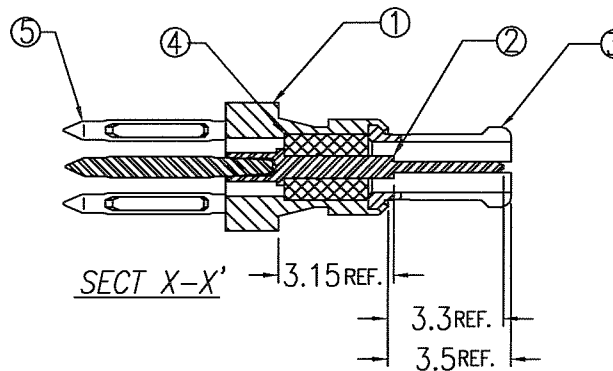


PRODUCT NUMBER

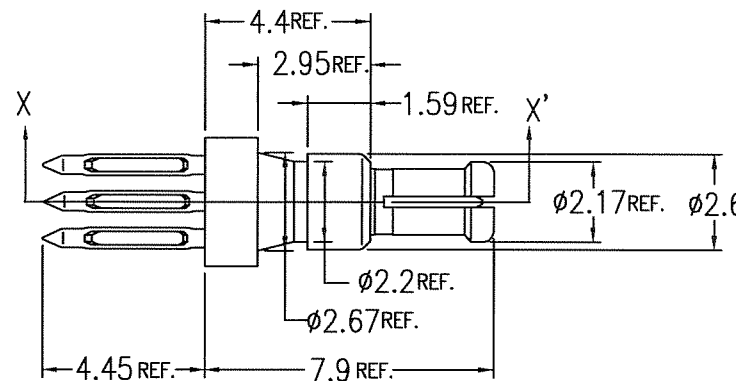
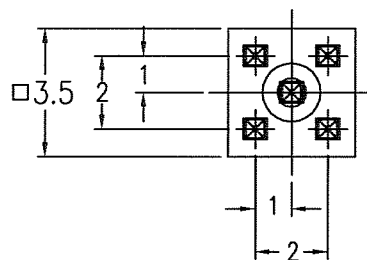
61428-001

61428-001LF

No.	DESCRIPTION	MATERIAL	FINISH	
			61428-001	61428-001LF
1	SHELL	BRASS	Au 0.05um MIN.	Au 0.05um MIN.
2	INNER CONTACT	BERYLLIUM COPPER	Au 1.27um MIN.	Au 1.27um MIN.
3	OUTER CONTACT	BERYLLIUM COPPER	Au 1.27um MIN.	Au 1.27um MIN.
4	INSULATOR	PTFE		
5	P.F. MALE PIN	PHOSPHER BRONZE	SnPb 0.50-1.5um	Sn 0.50-1.5um



RECOMMENDED PCB LAYOUT
(TOLERANCES UNLESS OTHERWISE SPECIFIED ±0.1)



NOTE

- FOR LEAD FREE P/N, THE PRODUCT MEET EUROPEAN UNION DIRECTIVES AND OTHER COUNTRY REGULATIONS AS DESCRIBED IN GS-22-008
- THE HOUSING WILL WITHSTAND EXPOSURE TO 260°C PEAK TEMPERATURE FOR 10 SECONDS IN A CONVECTION, INFRA-RED OR VAPOR PHASE REFLOW OVEN

mat'l. code				surface ISO 1302		tolerance ISO 406 ISO 1101		projection		product family METRAL		CODE JP	
---										METRAL		JP	
ltr	description	ecn no	dr	date	tolerances unless otherwise specified		angles linear		MM		title		
A	RELEASED	J80432	YK	10/26/'98	0.X ±0.2						METRAL MINI COAX		
B	REVISED	J10260	YK	3/30/'01	0.XX ±0.2						MALE PRESS-FIT TO B.P.		
C	REVISED	J05-0664	T.S	10/21/'05	0.XXX ±0.2		0°±3'		scale 5:1		dwg no		
D	REVISED	J07-0030	SD	1/18/'07			dr		T.SUKEKAWA 10/21/'05		sheet 1 of 1 size		
				enrg		S.OKUDAIRA 1/18/'07				61428		A4	
				chr		R. Shouji 1/18/'07				type		Customer Drawing	
				appd		S. Okudaira 1/18/'07				Rev.		D	
sheet index	revision sheet	D 1											